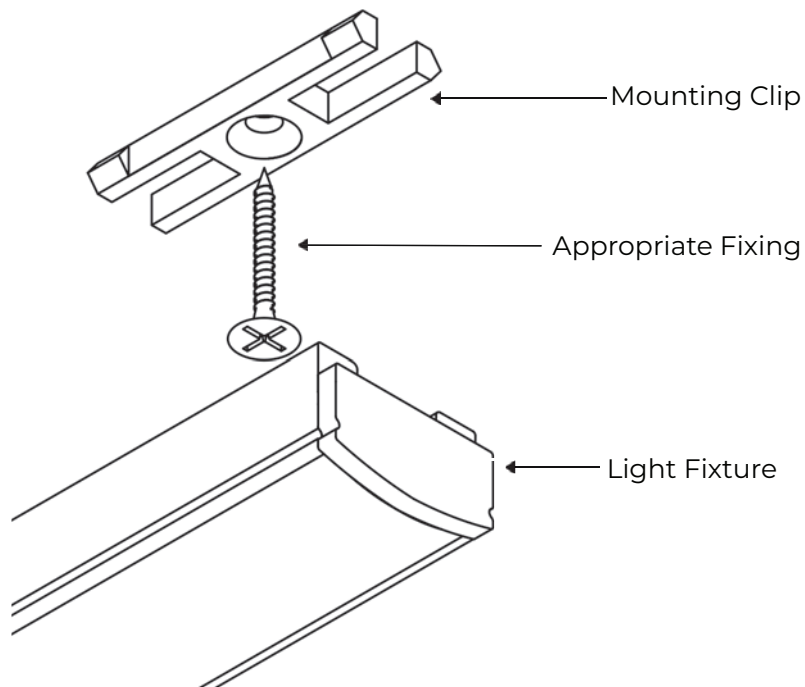
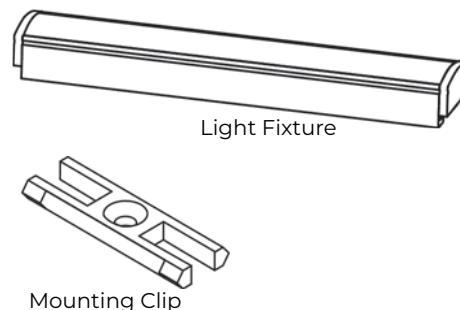


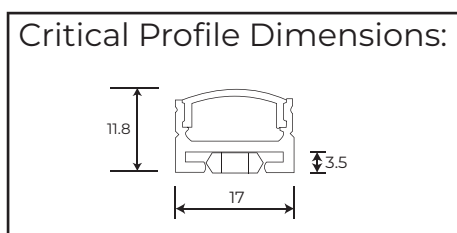
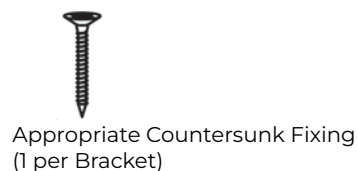
DATE	April 2024	CODE	KLLED-M-I-2	D
------	------------	------	-------------	---



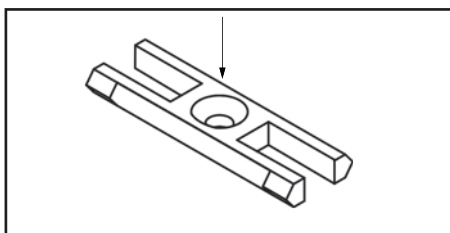
SUPPLIED PARTS



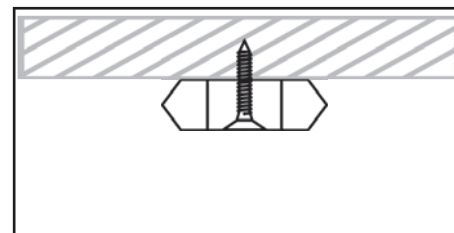
REQUIRED FOR INSTALLATION



Dimensions in mm.
Dimensions are the same with or without the mounting clip, as the mounting clip is hidden.



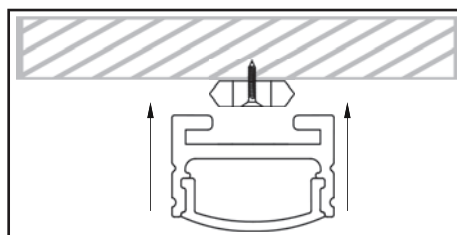
1. Mark and pre-drill screw holes.



2. Fasten the Mounting Clips using an Appropriate Fixing.

Mounting Clip suggestions

- 0-1000mm = 2 Mounting Clips
- 1050- 1550mm = 3 Mounting Clips
- 1550- 2050mm = 4 Mounting Clips
- 2050- 2550mm = 5 Mounting Clips



3. Press the Light Fixture onto the Mounting Clip until you hear a distinct "Click".

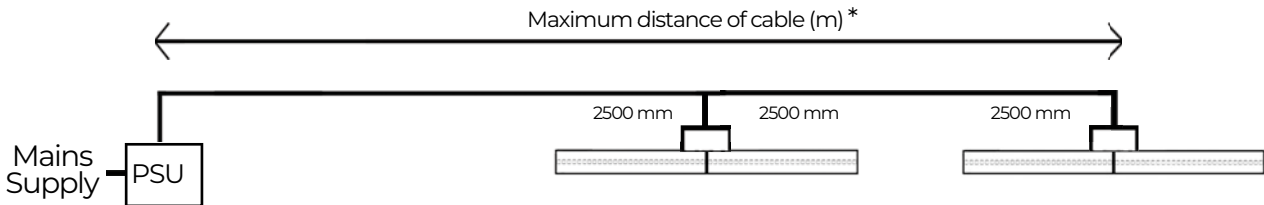
The Installation is now complete.

For continuous runs when assembly is required use a low odour + Low Bloom instant such as **LOCTITE 460 INSTANT ADHESIVE** or a similar adhesive for attaching endcaps to the end of the profile.

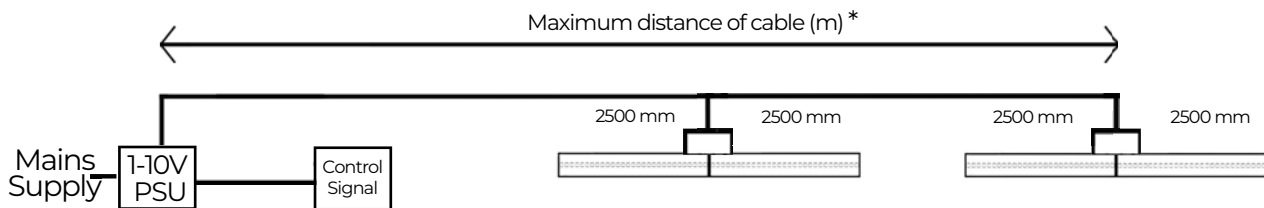
NOTE:
Screw Heads must be flush with the face of the Mounting Clip.

DATE	June 2022	CODE	KLLED-M-I-10	D
------	-----------	------	---------------------	----------

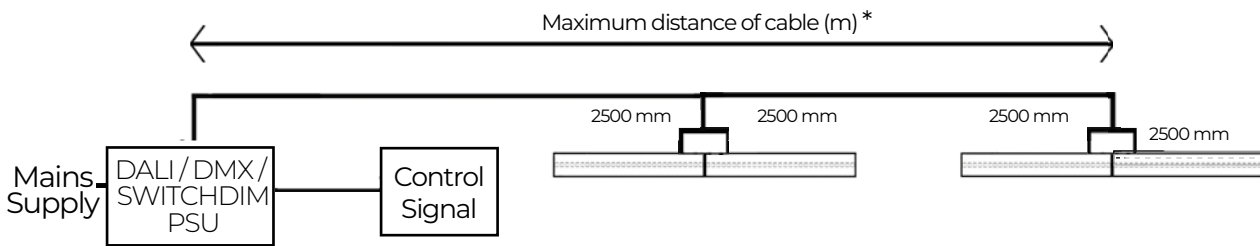
FIXED OUTPUT - TYPICAL WIRING CONFIGURATION



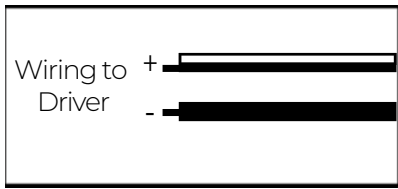
1-10V - TYPICAL WIRING CONFIGURATION



DALI / DMX / SWITCHDIM - TYPICAL WIRING CONFIGURATION USING SINGLE CHANNEL DRIVER



* Power supply unit (PSU) output cable size (mm ²) / Max distance (m) recommendations:	0.5mm ²	9 metres
	0.75mm ²	14 metres
	1.0mm ²	19 metres
	1.5mm ²	28 metres

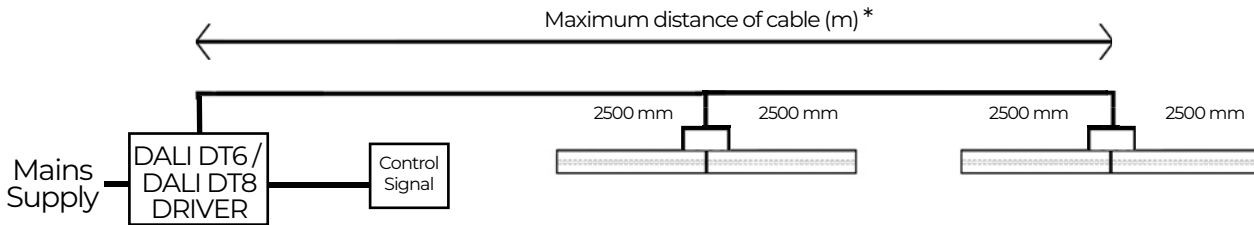


CAUTION:

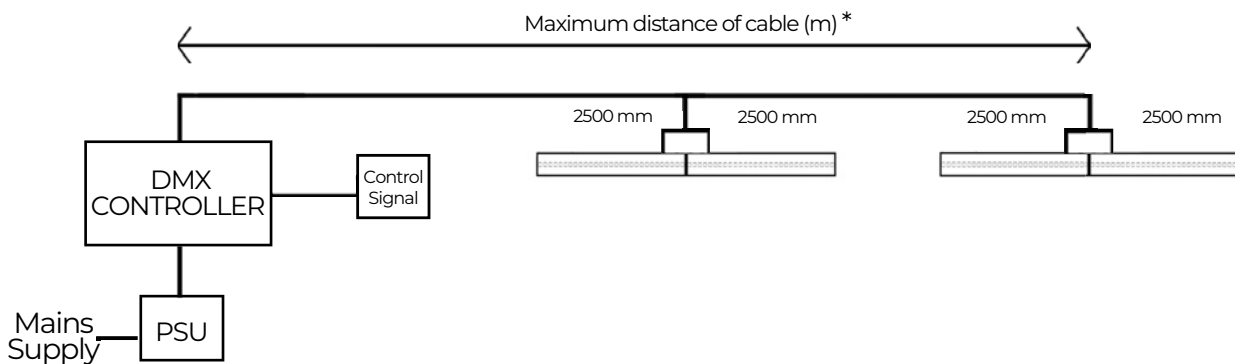
If requiring more than 2.5 metres of Kove LED Mini interconnected, use a centre feed driver installation method.

DATE	November 2022	CODE	KLLED-M-I-11	E
------	---------------	------	---------------------	----------

DALI DT6 / DALI DT8 - RGBW AND TUNABLE WHITE - TYPICAL WIRING CONFIGURATION USING DALI DRIVER



DMX - RGBW AND TUNABLE WHITE - TYPICAL WIRING CONFIGURATION USING DRIVER AND DMX CONTROLLER



* Power supply unit (PSU) output cable size (mm ²) / Max distance (m) recommendations:	0.5mm ²	9 metres	Tunable White Wiring Guide: 24V = Red Warm White = Black Cool White = Yellow
	0.75mm ²	14 metres	
	1.0mm ²	19 metres	
	1.5mm ²	28 metres	



CAUTION:

To avoid voltage drop, ensure no more than 5000mm of Kove LED Mini is connected together off the one power feed. For longer runs use multiple powerfeeds via a terminal block.