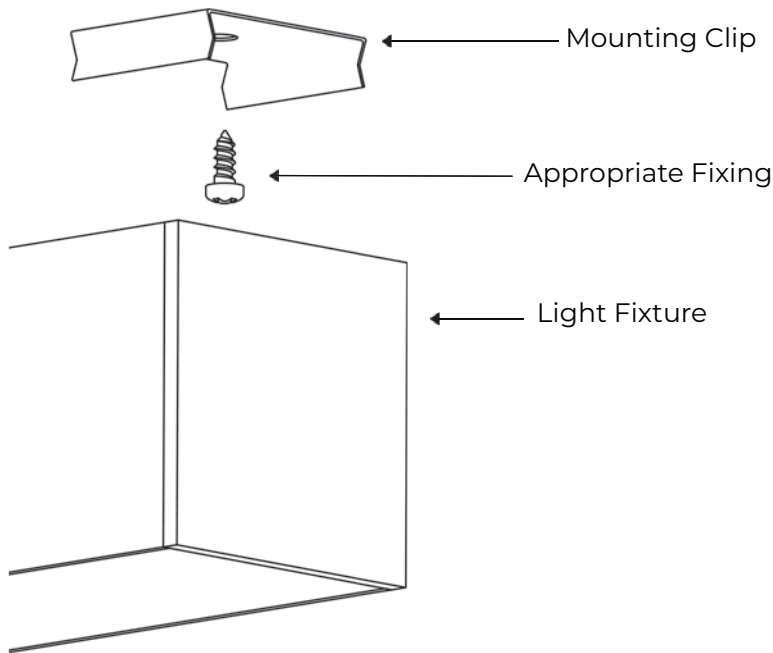
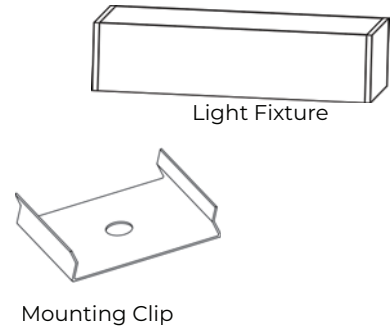


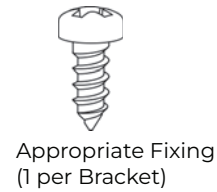
DATE	April 2024	CODE	KLLED-M-I-4	D
------	------------	------	-------------	---



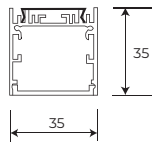
**SUPPLIED PARTS**



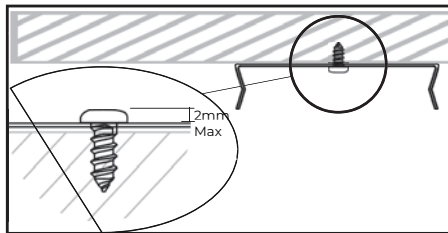
**REQUIRED FOR INSTALLATION**



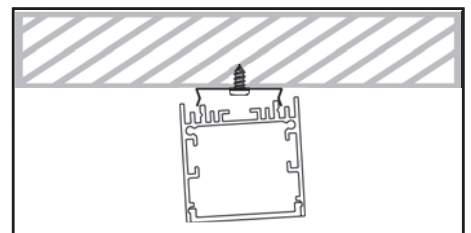
**Critical Profile Dimensions:**



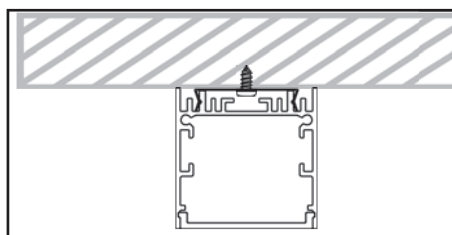
Dimensions in mm.  
Dimensions are the same with or without the mounting clip, as the mounting clip is hidden.



1. Mark and pre-drill screw holes prior to inserting Mounting Screws through Mounting Clips.



2. Tilt the fixture and push into rear of bracket to engage. Mounting Clip will flex to fit.



3. Pivot the front down and push firmly to engage the front of the bracket and snap-fit.

The Installation is now complete.

For continuous runs when assembly is required use a low odour + Low Bloom instant such as **'LOCTITE 460 INSTANT ADHESIVE'** or a similar adhesive for attaching endcaps to the end of the profile.

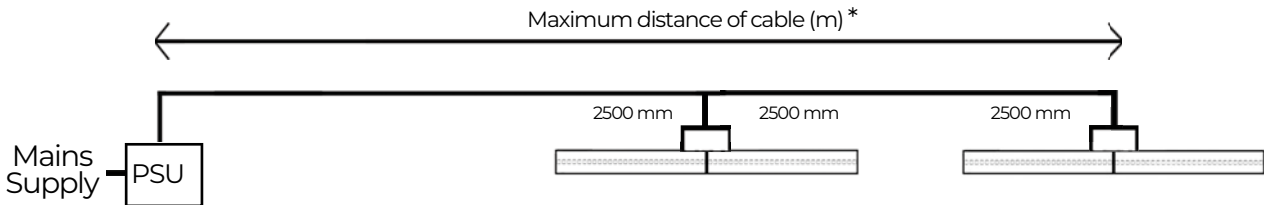
**Mounting Clip suggestions**

- 0-1000mm = 2 Mounting Clips
- 1050- 1550mm = 3 Mounting Clips
- 1550- 2050mm = 4 Mounting Clips
- 2050- 2550mm = 5 Mounting Clips

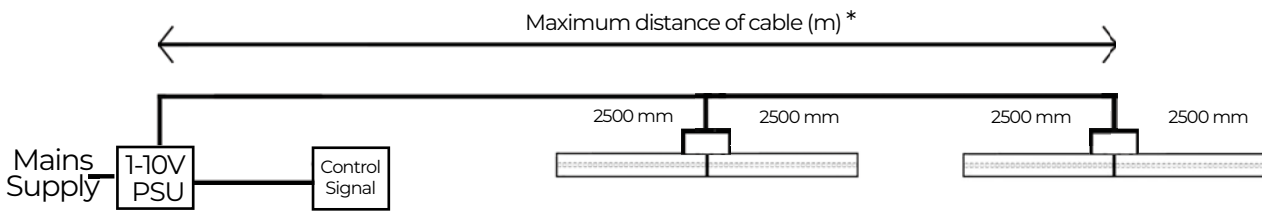
**NOTE:**  
Screw Heads **MUST NOT** extend more than 2mm past the Mounting Clip.

DATE	June 2022	CODE	<b>KLLED-M-I-10</b>	<b>D</b>
------	-----------	------	---------------------	----------

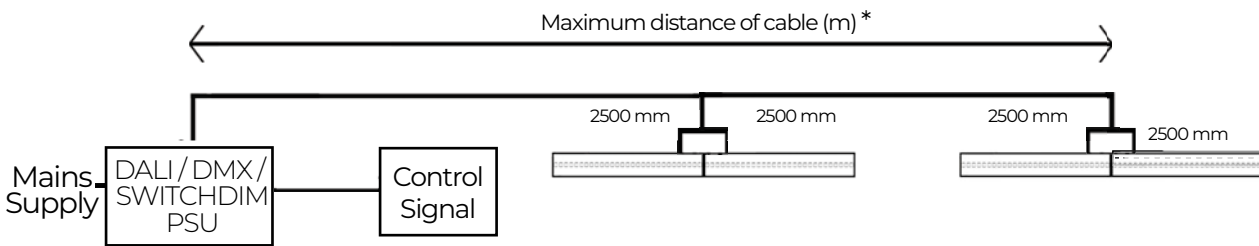
**FIXED OUTPUT - TYPICAL WIRING CONFIGURATION**



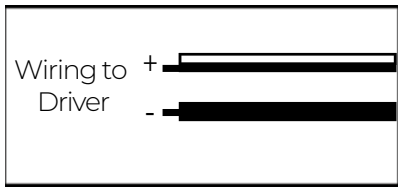
**1-10V - TYPICAL WIRING CONFIGURATION**



**DALI / DMX / SWITCHDIM - TYPICAL WIRING CONFIGURATION USING SINGLE CHANNEL DRIVER**



* Power supply unit (PSU) output cable size (mm <sup>2</sup> ) / Max distance (m) recommendations:	0.5mm <sup>2</sup>	9 metres
	0.75mm <sup>2</sup>	14 metres
	1.0mm <sup>2</sup>	19 metres
	1.5mm <sup>2</sup>	28 metres

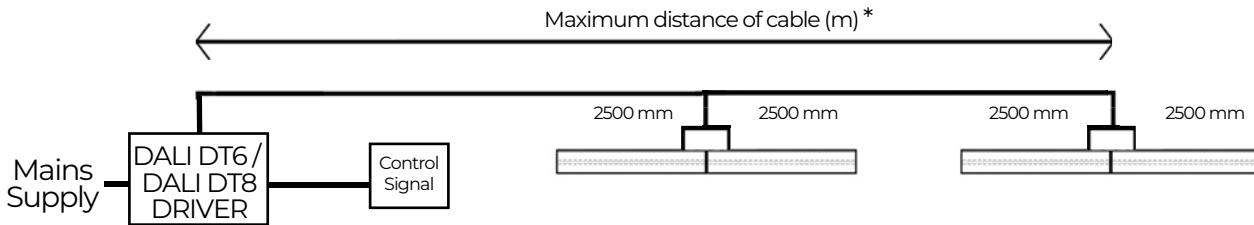


**CAUTION:**

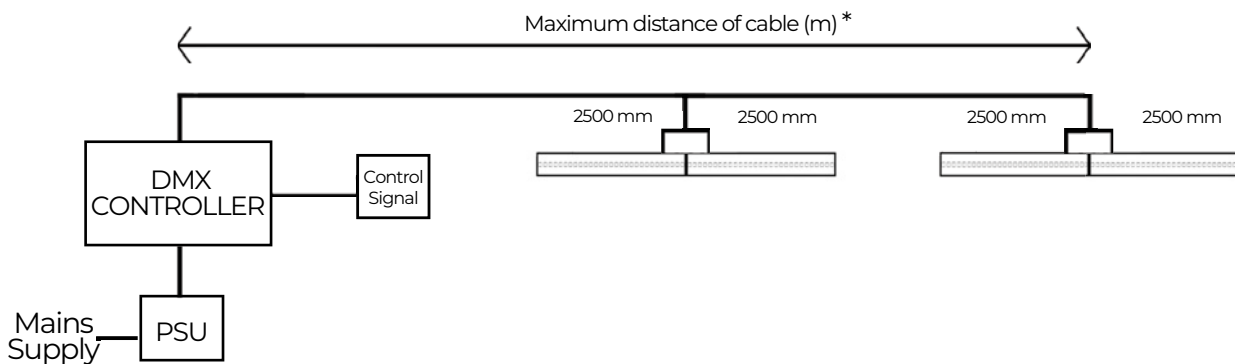
If requiring more than 2.5 metres of Kove LED Mini interconnected, use a centre feed driver installation method.

DATE	November 2022	CODE	<b>KLLED-M-I-11</b>	<b>E</b>
------	---------------	------	---------------------	----------

**DALI DT6 / DALI DT8 - RGBW AND TUNABLE WHITE - TYPICAL WIRING CONFIGURATION USING DALI DRIVER**



**DMX - RGBW AND TUNABLE WHITE - TYPICAL WIRING CONFIGURATION USING DRIVER AND DMX CONTROLLER**



* Power supply unit (PSU) output cable size (mm <sup>2</sup> ) / Max distance (m) recommendations:	0.5mm <sup>2</sup>	9 metres	Tunable White Wiring Guide: 24V = Red Warm White = Black Cool White = Yellow
	0.75mm <sup>2</sup>	14 metres	
	1.0mm <sup>2</sup>	19 metres	
	1.5mm <sup>2</sup>	28 metres	



**CAUTION:**

To avoid voltage drop, ensure no more than 5000mm of Kove LED Mini is connected together off the one power feed. For longer runs use multiple powerfeeds via a terminal block.