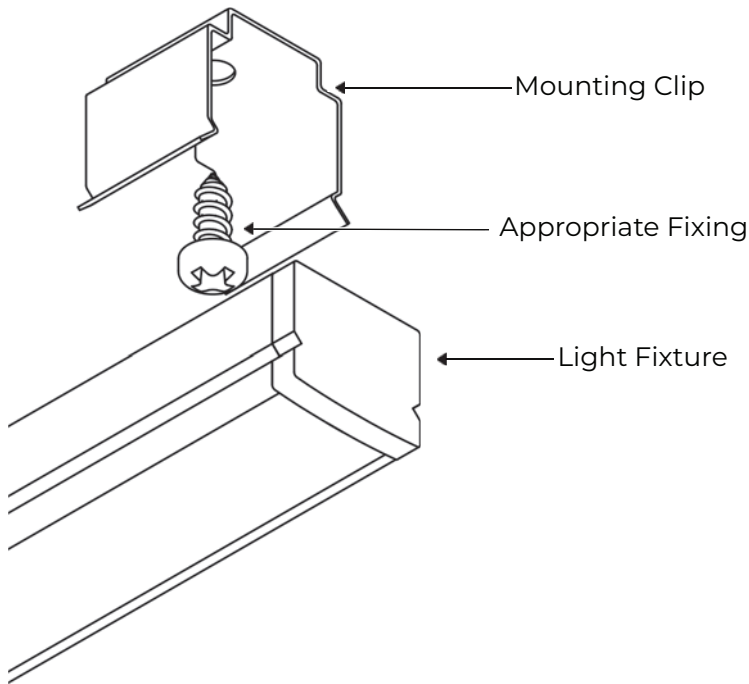
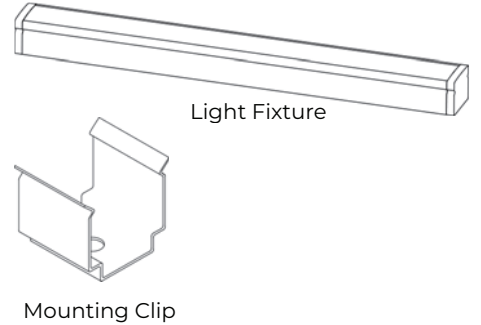


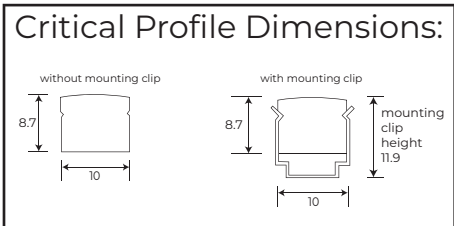
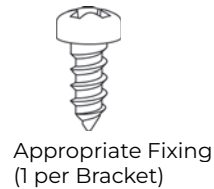
DATE	April 2024	CODE	<b>KLLED-M-I-1</b>	<b>D</b>
------	------------	------	--------------------	----------



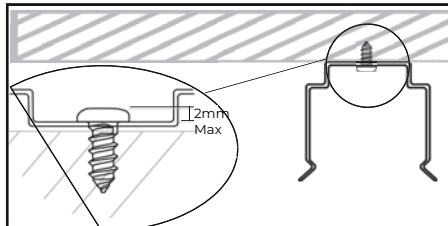
**SUPPLIED PARTS**



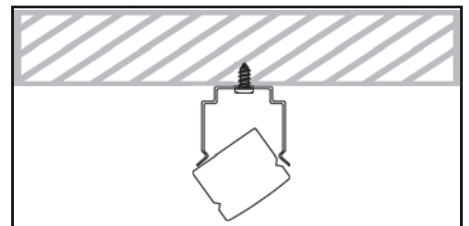
**REQUIRED FOR INSTALLATION**



Dimensions in mm.



1. Mark and pre-drill screw holes prior to inserting Mounting Screws through Mounting Clips.

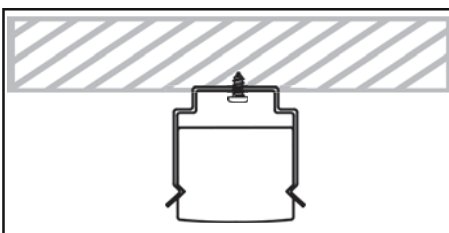


2. Tilt the fixture and push into rear of bracket to engage. Mounting Clip will flex to fit.

- Mounting Clip suggestions**  
 0-1000mm = 2 Mounting Clips  
 1050- 1550mm = 3 Mounting Clips  
 1550- 2050mm = 4 Mounting Clips  
 2050- 2550mm = 5 Mounting Clips

**NOTE:**  
 Screw Heads **MUST NOT** extend more than 2mm past the Mounting Clip.

For continuous runs when assembly is required use a low odour + Low Bloom instant such as '**LOCTITE 460 INSTANT ADHESIVE**' or a similar adhesive for attaching endcaps to the end of the profile.

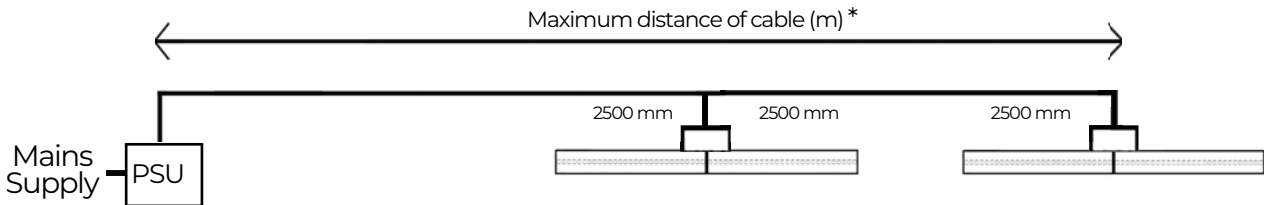


3. Pivot the front down and push firmly to engage the front of the bracket and snap-fit.

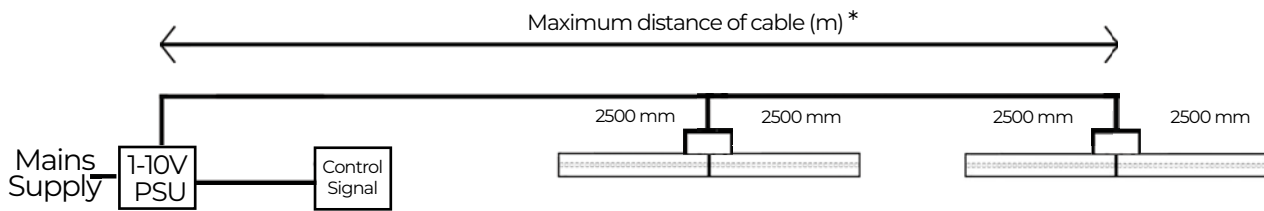
The Installation is now complete.

DATE	June 2022	CODE	<b>KLLED-M-I-10</b>	<b>D</b>
------	-----------	------	---------------------	----------

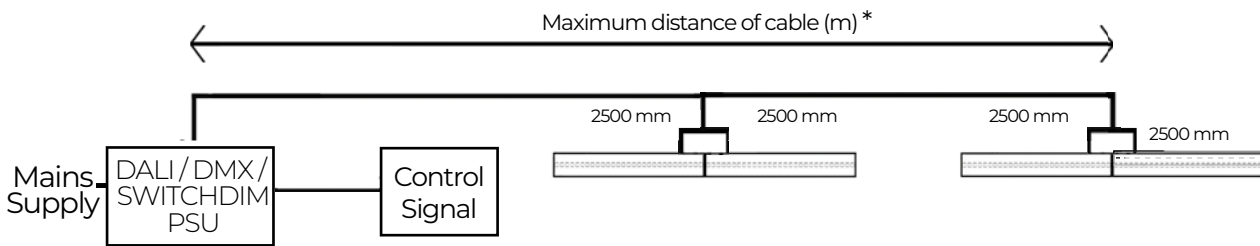
**FIXED OUTPUT - TYPICAL WIRING CONFIGURATION**



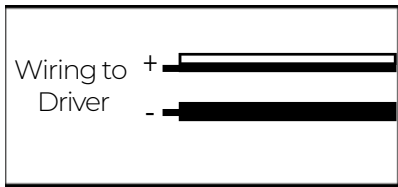
**1-10V - TYPICAL WIRING CONFIGURATION**



**DALI / DMX / SWITCHDIM - TYPICAL WIRING CONFIGURATION USING SINGLE CHANNEL DRIVER**



* Power supply unit (PSU) output cable size (mm <sup>2</sup> ) / Max distance (m) recommendations:	0.5mm <sup>2</sup>	9 metres
	0.75mm <sup>2</sup>	14 metres
	1.0mm <sup>2</sup>	19 metres
	1.5mm <sup>2</sup>	28 metres



**CAUTION:**

If requiring more than 2.5 metres of Kove LED Mini interconnected, use a centre feed driver installation method.