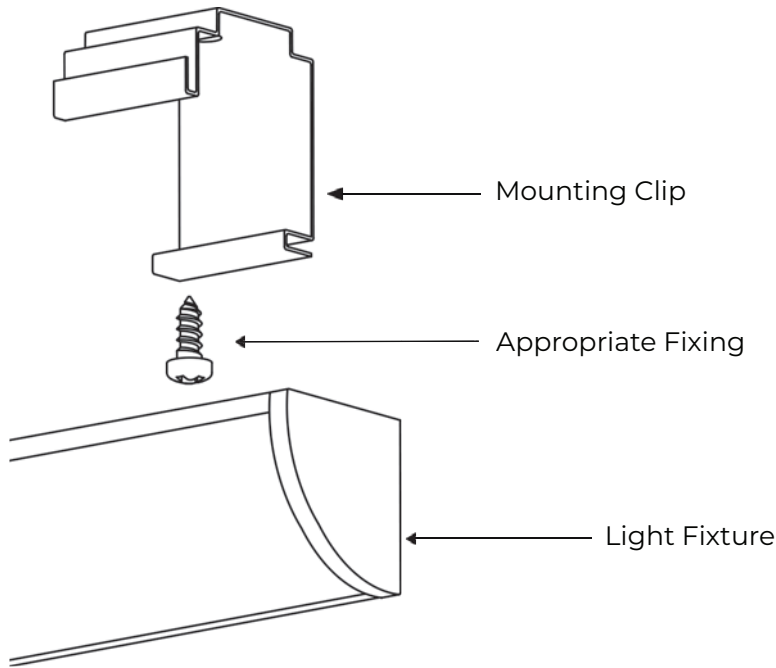
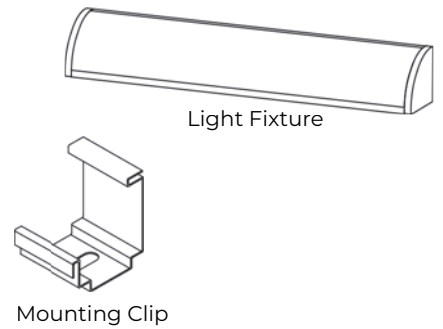


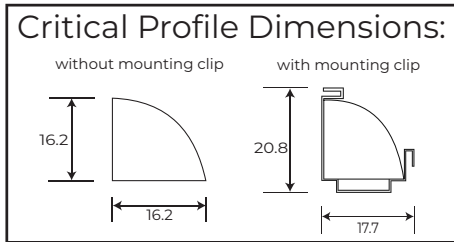
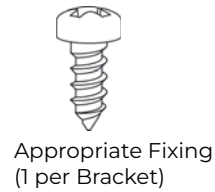
DATE	April 2024	CODE	KLLED-M-I-7	D
------	------------	------	--------------------	----------



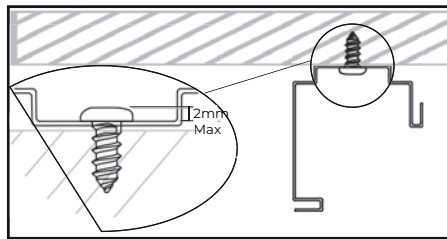
SUPPLIED PARTS



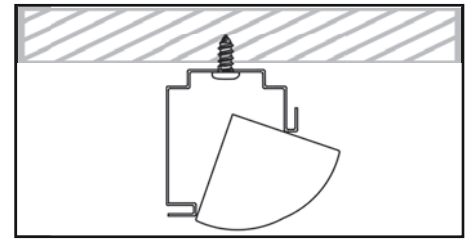
REQUIRED FOR INSTALLATION



Dimensions in mm.



1. Mark and pre-drill screw holes prior to inserting Mounting Screws through Mounting Clips.

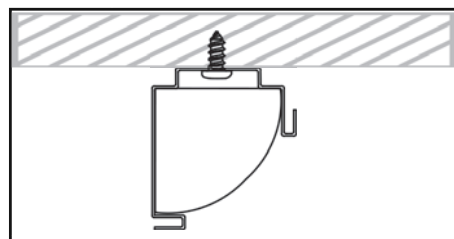


2. Tilt the fixture and push into rear of bracket to engage. Mounting Clip will flex to fit.

Mounting Clip suggestions

- 0-1000mm = 2 Mounting Clips
- 1050- 1550mm = 3 Mounting Clips
- 1550- 2050mm = 4 Mounting Clips
- 2050- 2550mm = 5 Mounting Clips

NOTE:
Screw Heads **MUST NOT** extend more than 2mm past the Mounting Clip.



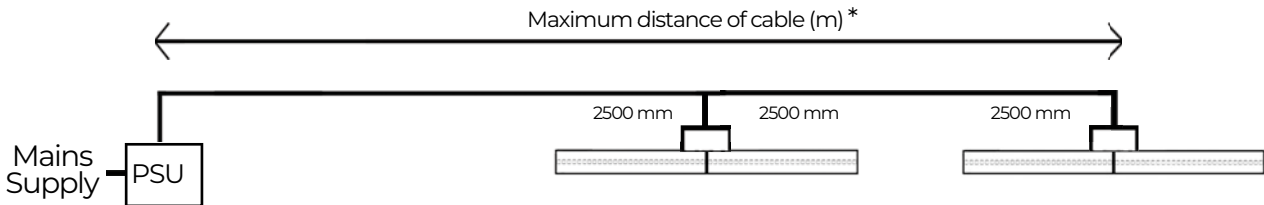
3. Pivot the front down and push firmly to engage the front of the bracket and snap-fit.

The Installation is now complete.

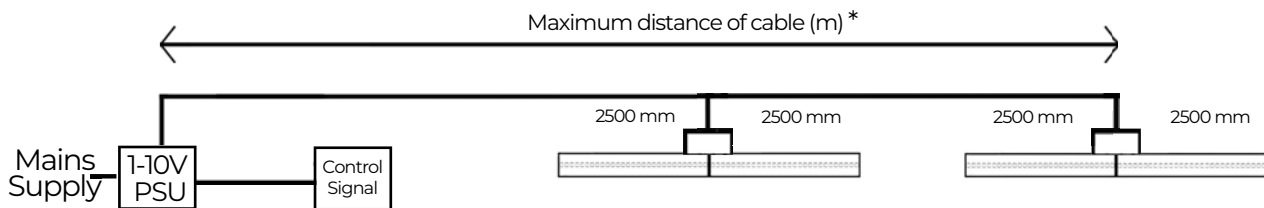
For continuous runs when assembly is required use a low odour + Low Bloom instant such as '**LOCTITE 460 INSTANT ADHESIVE**' or a similar adhesive for attaching endcaps to the end of the profile.

DATE	June 2022	CODE	KLLED-M-I-10	D
------	-----------	------	---------------------	----------

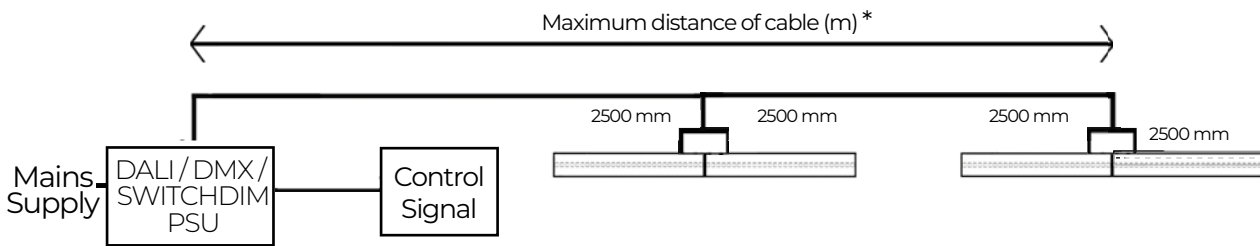
FIXED OUTPUT - TYPICAL WIRING CONFIGURATION



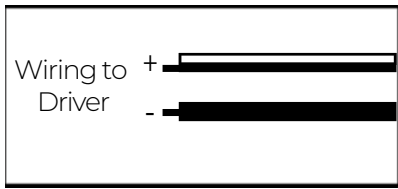
1-10V - TYPICAL WIRING CONFIGURATION



DALI / DMX / SWITCHDIM - TYPICAL WIRING CONFIGURATION USING SINGLE CHANNEL DRIVER



* Power supply unit (PSU) output cable size (mm ²) / Max distance (m) recommendations:	0.5mm ²	9 metres
	0.75mm ²	14 metres
	1.0mm ²	19 metres
	1.5mm ²	28 metres

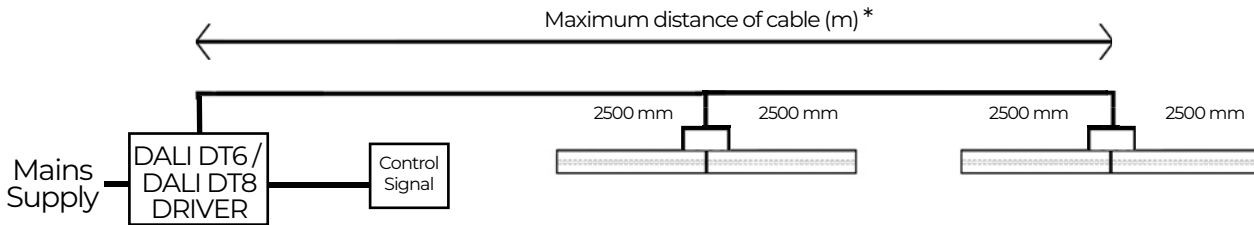


CAUTION:

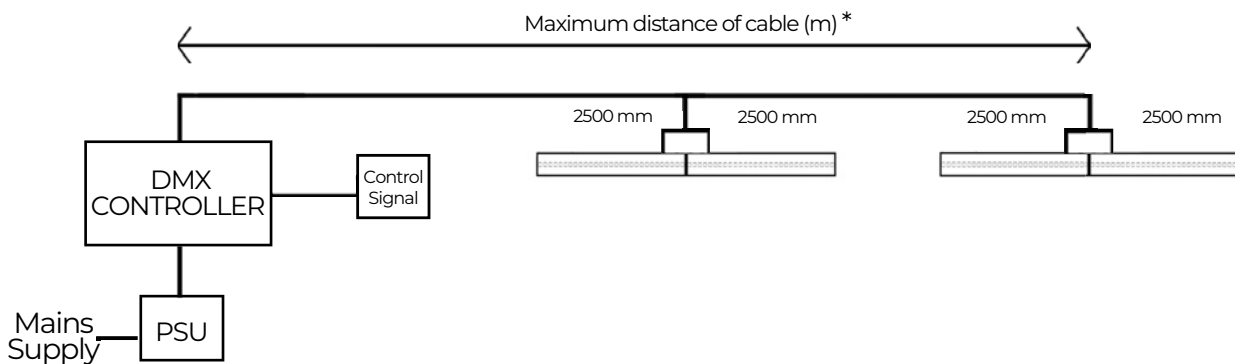
If requiring more than 2.5 metres of Kove LED Mini interconnected, use a centre feed driver installation method.

DATE	November 2022	CODE	KLLED-M-I-11	E
------	---------------	------	---------------------	----------

DALI DT6 / DALI DT8 - RGBW AND TUNABLE WHITE - TYPICAL WIRING CONFIGURATION USING DALI DRIVER



DMX - RGBW AND TUNABLE WHITE - TYPICAL WIRING CONFIGURATION USING DRIVER AND DMX CONTROLLER



* Power supply unit (PSU) output cable size (mm ²) / Max distance (m) recommendations:	0.5mm ²	9 metres	Tunable White Wiring Guide: 24V = Red Warm White = Black Cool White = Yellow
	0.75mm ²	14 metres	
	1.0mm ²	19 metres	
	1.5mm ²	28 metres	



CAUTION:

To avoid voltage drop, ensure no more than 5000mm of Kove LED Mini is connected together off the one power feed. For longer runs use multiple powerfeeds via a terminal block.