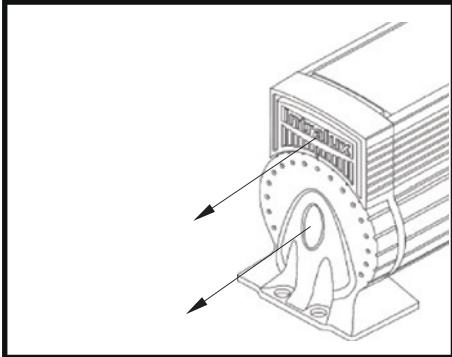
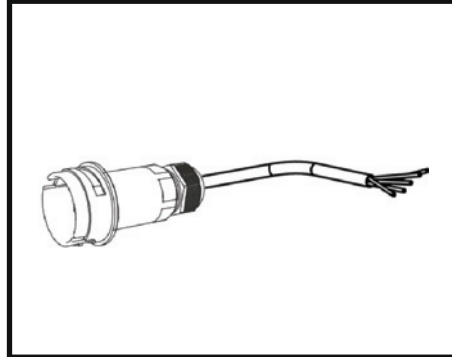


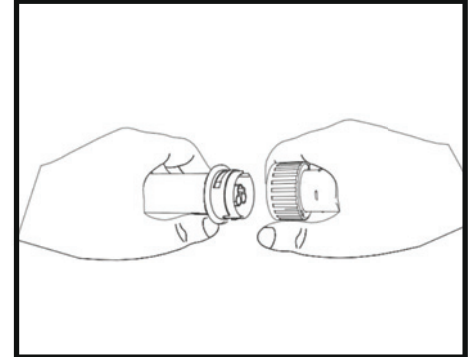
DATE	June 2022	CODE	CLED-IS-2	D
PROJECT			TYPE	



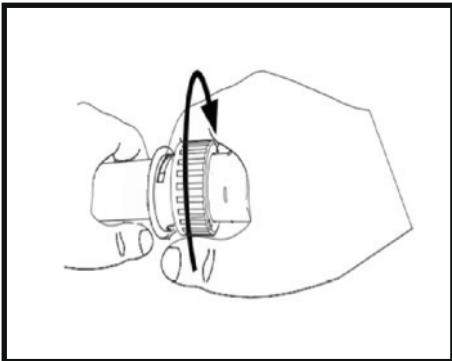
1. Remove the connector cap on the female side on all fixtures that are to be interconnected except for the very last fixture.



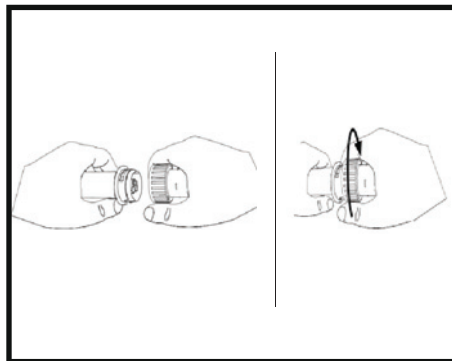
2. Locate the Starter Leads



3. Firmly push the connectors together.

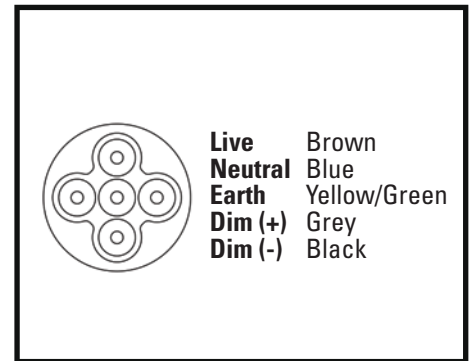


4. Twist the hood on the Fixture Connector. Ensure you have a positive connection.



5. Repeat step 3 and 4 to interconnect fixtures.

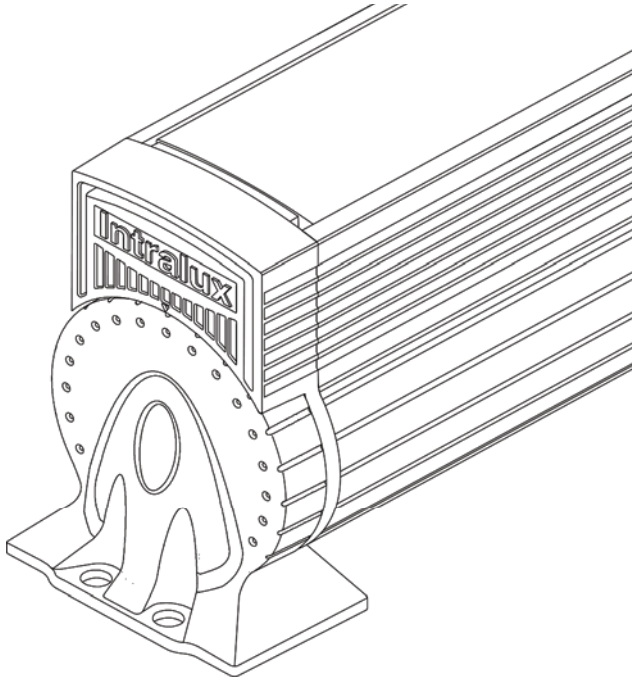
Ensure the last fixture of the run has the connector cap screwed on to seal the terminals.



6. Connect the open end of the starter lead to DALI as above.

Max run length to be connected per starter lead: 60 meters.

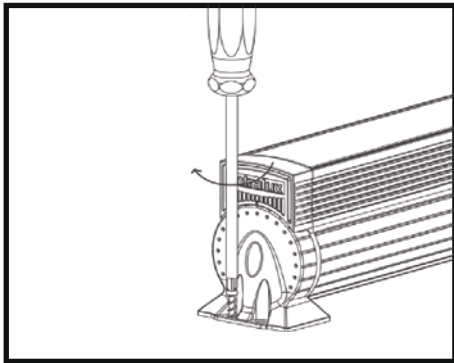
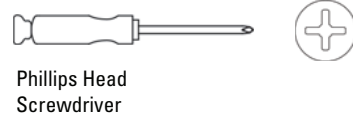
DATE	June 2022	CODE	CLED-IS-1	D
PROJECT		TYPE		



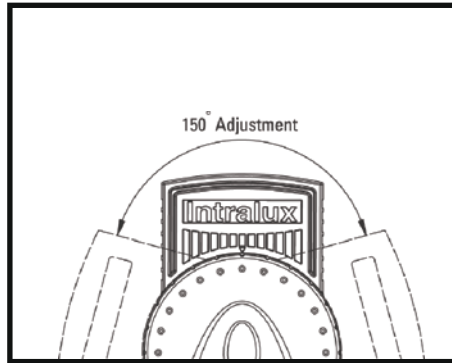
Supplied parts



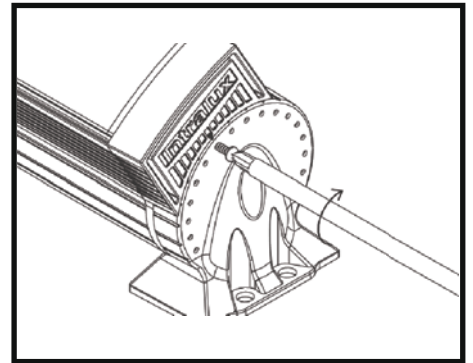
Required for Installation



1. Use suitable fixings for the intended application as per industry standards.



2. Adjust the fixture to the required angle.



3. If the fixtures are required to be locked in position, align the suitable hole with the marker and insert screw provided.